

Copyright © Huawei Technologies Co., Ltd. 2010. All rights reserved.

No part of this document may be reproduced or transmitted in any form or by any means without prior written consent of Huawei Technologies Co., Ltd.

The product described in this manual may include copyrighted software of Huawei Technologies Co., Ltd and possible licensors. Customers shall not in any manner reproduce, distribute, modify, decompile, disassemble, decrypt, extract, reverse engineer, lease, assign, or sublicense the said software, unless such restrictions are prohibited by applicable laws or such actions are approved by respective copyright holders under licenses.

Trademarks and Permissions



HUAWEI, **HUAWEI**, and



are trademarks or registered trademarks of Huawei Technologies Co., Ltd.

Other trademarks, product, service and company names mentioned are the property of their respective owners.

Notice

Some features of the product and its accessories described herein rely on the software installed, capacities and settings of local network, and may not be activated or may be limited by local network operators or network service providers, thus the descriptions herein may not exactly match the product or its accessories you purchase.

Huawei Technologies Co., Ltd reserves the right to change or modify any information or specifications contained in this manual without prior notice or obligation.

NO WARRANTY

THE CONTENTS OF THIS MANUAL ARE PROVIDED “AS IS”. EXCEPT AS REQUIRED BY APPLICABLE LAWS, NO WARRANTIES OF ANY KIND, EITHER EXPRESS OR IMPLIED, INCLUDING BUT NOT LIMITED TO, THE IMPLIED WARRANTIES OF MERCHANTABILITY AND FITNESS FOR A PARTICULAR PURPOSE, ARE MADE IN RELATION TO THE ACCURACY, RELIABILITY OR CONTENTS OF THIS MANUAL. TO THE MAXIMUM EXTENT PERMITTED BY APPLICABLE LAW, IN NO CASE SHALL HUAWEI TECHNOLOGIES CO., LTD BE LIABLE FOR ANY SPECIAL, INCIDENTAL, INDIRECT, OR

CONSEQUENTIAL DAMAGES, OR LOST PROFITS, BUSINESS, REVENUE, DATA, GOODWILL OR ANTICIPATED SAVINGS.

Import and Export Regulations

Customers shall comply with all applicable export or import laws and regulations and will obtain all necessary governmental permits and licenses in order to export, re-export or import the product mentioned in this manual including the software and technical data therein.

Table of Contents

Getting to Know the E173	1
Requirements for the PC	3
Installing the SIM/USIM and mircoSD Card	3
Installation Guide	4
Warnings and Precautions	7

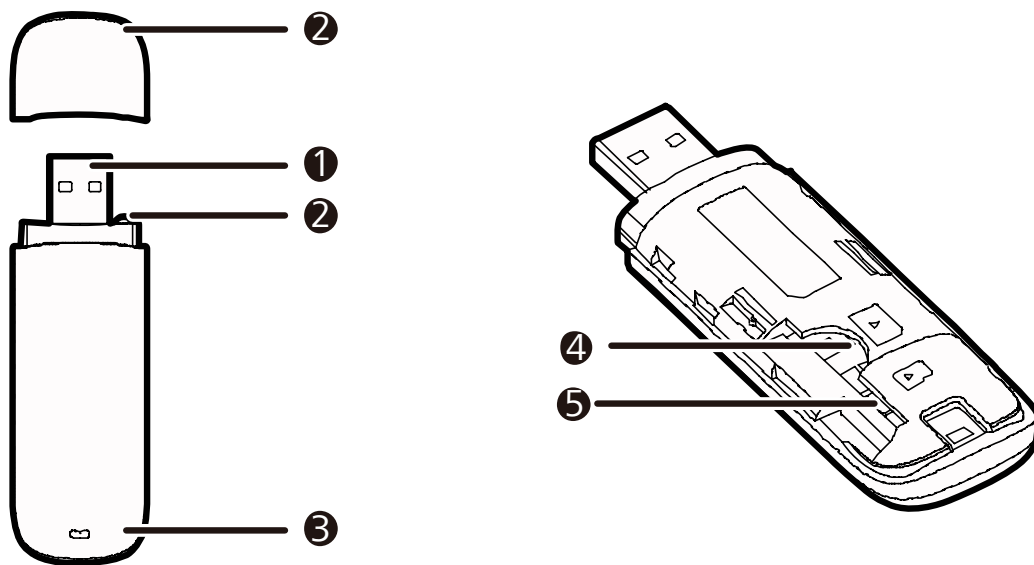
Thank you for purchasing Huawei E173 USB Stick.

Note:

- This manual briefly describes the preparation, the process for installing/uninstalling, and safety precautions for using Huawei E173 USB Stick (hereinafter referred to as the E173).
- You are recommended to read the manual before using the E173.

Getting to Know the E173

The following figures show the appearance of the E173. The actual product may differ.



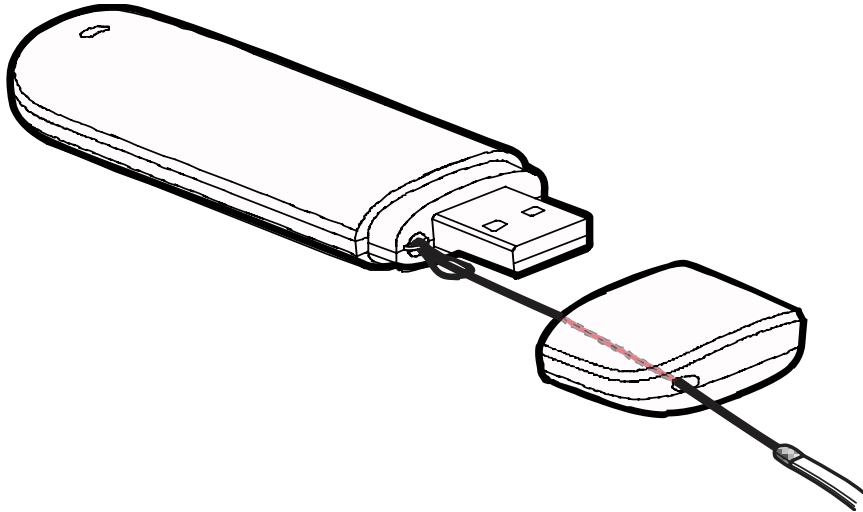
① USB Interface

It connects the E173 to a computer.

② Strap Hole

You can tie the cap and the USB Stick together by

threading a strap through the strap holes, so that the cap will not be easily lost.



③ Indicator

It indicates the status of the USB Stick.

- Green, blinking twice every 3s: The USB Stick is powered on.
- Green, blinking once every 3s: The USB Stick is registering with a 2G network.
- Blue, blinking once every 3s: The USB Stick is registering with a 3G network.
- Green, solid: The USB Stick is connected to a 2G network.
- Blue, solid: The USB Stick is connected to a 3G network.
- Off: The USB Stick is removed.

④ SIM/USIM Card Slot

It holds a Subscriber Identity Module (SIM)/Universal Subscriber Identity Module (USIM) card.

⑤ MicroSD card slot

Holds the MicroSD card.

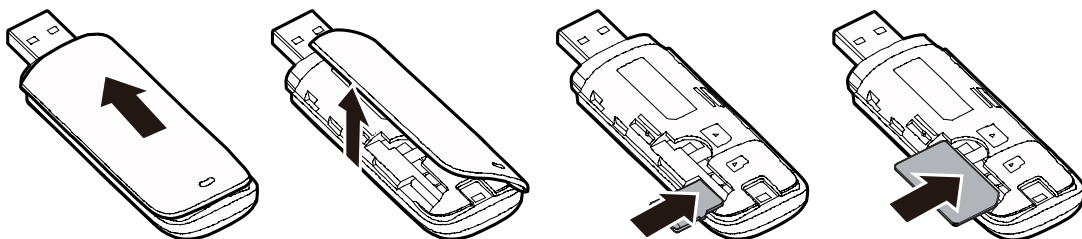
Requirements for the PC

To use the E173, the PC must meet the following requirements:

- Windows 2000 SP4, Windows XP SP2/ SP3, Windows Vista (32 bit & 64 bit), Windows 7 and MAC OS 10.4, 10.5 and 10.6 with latest upgrades
- Supports standard USB

Installing the SIM/USIM and mircoSD Card

1. Slide the front cover to remove it from the USB Stick.
2. Insert the SIM/USIM card and the microSD card into the corresponding card slots, as shown in the following figure.
3. Replace the front cover and slide it into place.



Note:

- The microSD card is an optional accessory. If it is not provided in the package, you can buy one yourself.

- Ensure that the beveled edge of the SIM/USIM card is properly aligned with that of the SIM/USIM card slot and the microSD card is inserted according to the direction as labeled on the microSD card slot.
- Do not remove the microSD or SIM/USIM card when the card is in use. Otherwise, the card as well as your USB Stick may get damaged and the data stored on the card may be corrupted.

Installation Guide

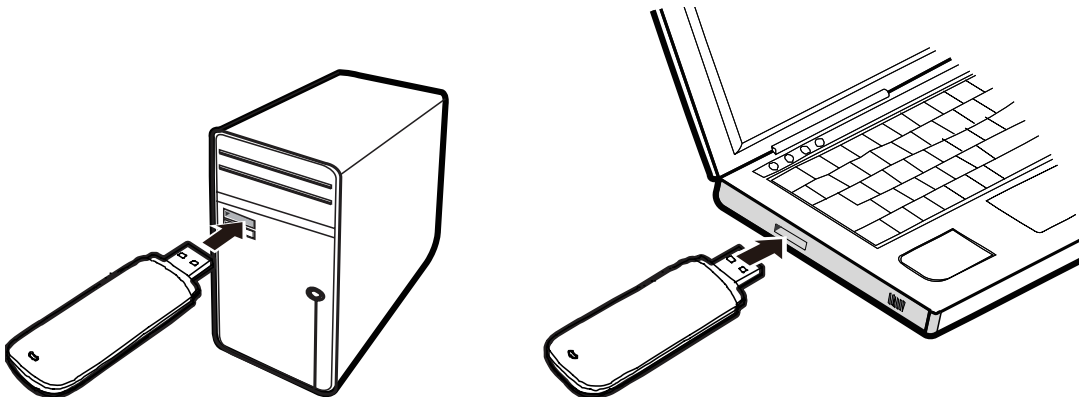
The procedure for installing the Reliance 3G program depends on the operating system installed in your PC. The following section takes Windows XP as an example.

Connecting the E173 with a PC

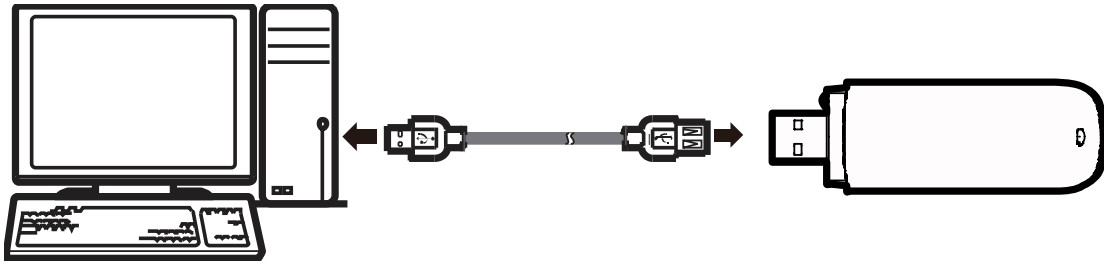
Note:

Power on your PC before connecting the E173 with the PC. Otherwise, the normal installation of the E173 may be affected.

One way: Plug the E173 into the USB interface of the PC.



The other way: connect the E173 to a PC using the USB extension cable.



Installation

1. Connect the E173 with the PC.
2. The OS automatically detects and recognizes the new hardware and starts the installation wizard.

Note:

If the auto-run program does not respond, find the **AutoRun.exe** file in the driver path. Then double-click **AutoRun.exe** to run the program.

3. Follow the prompts of the installation wizard.
4. After the program is installed, the shortcut icon of the **Reliance 3G** will be displayed on the desktop.

Starting the Reliance 3G Dialer

After the E173 is installed, the **Reliance 3G Dialer** will be launched automatically. Then every time the E173 is connected to the PC, the **Reliance 3G Dialer** will be launched automatically.

You can also double-click the shortcut icon on the desktop to launch the **Reliance 3G Dialer**.

Uninstallation

1. Choose **Start > Control Panel> Add or Remove Programs**.
2. Find the **Reliance 3G** and click **Remove** to uninstall it.


OR

3. Choose **Start > All Programs > Reliance 3G > Uninstall**

Note:

It is recommended to restart the PC after the uninstallation to ensure that the Reliance 3G program is completely uninstalled.

Unplug the E173

1. Double-click  in the system tray. The **Unplug or Eject Hardware** interface is displayed.
2. Select the hardware related to the E173 and click **Stop**.
3. When the prompt "It is safe to remove the device" is displayed, remove the E173.

Note:

Before unplugging the E173, exit the **Reliance 3G dialer**.

Warnings and Precautions

This section contains important information pertaining to the operating instructions of your device. It also contains information about how to use your device safely. Read this information carefully before using the device.

Electronic Device

Do not use your device if using the device is prohibited. Do not use the device when using the device causes danger or interference with electronic devices.

Medical Device

- Follow rules and regulations set forth by hospitals and health care facilities. Do not use your device when using the device is prohibited.
- Some wireless devices may affect the performance of hearing aids or pacemakers. For any such problems, consult your service provider.
- If you are using an electronic medical device, consult the doctor or the device manufacturer to confirm whether radio waves affect the operation of this device.

Potentially Explosive Atmosphere

Do not use your device in any area with a potentially explosive atmosphere, and comply

with all signs and instructions. Areas that may have potentially explosive atmospheres include the areas where you would normally be advised to turn off your vehicle engine. Triggering of sparks in such areas could cause an explosion or a fire, resulting in bodily injuries or even deaths. Do not use your device at refuelling points such as service stations. Comply with restrictions on the use of radio equipment in fuel depots, storage, and distribution areas, and chemical plants. In addition, adhere to restrictions in areas where blasting operations are in progress. Before using the device, watch out for areas that have potentially explosive atmospheres that are often, but not always, clearly marked. Such locations include areas below the deck on boats, chemical transfer or storage facilities, and areas where the air contains chemicals or particles such as grain, dust, or metal powders. Ask the manufacturers of vehicles using liquefied petroleum gas (such as propane or butane) whether this device can be safely used in their vicinity.

Traffic Security

- Observe local laws and regulations while using the device. To prevent accidents, do not use your wireless device while driving.
- RF signals may affect electronic systems of motor vehicles. For more information, consult

the vehicle manufacturer.

- In a motor vehicle, do not place the device over the air bag or in the air bag deployment area. Otherwise, the device may hurt you owing to the strong force when the air bag inflates.
- Do not use your device while flying in an aircraft and before boarding an aircraft. Using wireless devices in an aircraft may cause danger to the operation of the aircraft and disrupt the wireless telephone network. It may also be considered illegal.

Operating Environment

- Do not use the device in dusty, damp, and dirty places or places with magnetic fields. Otherwise, it may result in malfunction of the circuit.
- On a stormy day with thunder, do not use your device when it is being charged, to prevent any danger caused by lightning.
- While using the device, observe the local laws and regulations, and respect others privacy and legal rights.

Safety of Children

Comply with all precautions with regard to children's safety. Letting the child play with your device or its accessories, which may include parts that can be detached from the device, may be dangerous, as it may present a choking hazard. Ensure that small children are kept away from the device and accessories.

Accessories

Use the accessories delivered only by the manufacturer. Using accessories of other manufacturers or vendors with this device model may invalidate any approval or warranty applicable to the device, result in the non-operation of the device, and cause danger.

Cleaning and Maintenance

It is normal that your wireless device gets hot when you use or charge it. Before you clean or maintain the wireless device, stop all applications and disconnect the wireless device from your PC.

- Use your wireless device and accessories with care and in a clean environment. Keep the wireless device away from a fire or a lit cigarette.
- Protect your wireless device and accessories from water and vapor, and keep them dry.
- Do not drop, throw, or bend your wireless device.
- Clean your wireless device with a piece of damp and soft antistatic cloth. Do not use any chemical detergent, powder, or other chemical agents (such as alcohol and benzene) to clean the device.
- Keep the ambient temperature between -10°C to $+45^{\circ}\text{C}$ for using the device.

RoHS Approval

The wireless device is in compliance with the

restriction of the use of certain hazardous substances in electrical and electronic equipment Directive 2002/95/EC (RoHS Directive).

Certification Information (SAR)

Your wireless device is a radio transmitter and receiver. It is designed not to exceed the limits for exposure to radio waves recommended by international guidelines. These guidelines are developed by the independent scientific organization International Commission on Non-Ionizing Radiation Protection (ICNIRP) and include safety margins designed to assure the protection of all persons, regardless of age and health.

The guidelines use a unit of measurement known as the Specific Absorption Rate, or SAR. The SAR limit for wireless devices is 2.0 watts/kilogram (W/kg) and the highest SAR value for this device when tested complies with this limit.

Body Worn Operation

Important safety information regarding radiofrequency (RF) radiation exposure is as follows:

- To ensure compliance with RF exposure guidelines, the device must be used with a minimum of 2.5 cm distance from the body.

- Failure to observe these instructions could result in your RF exposure exceeding the relevant guideline limits.

Disposal and Recycling Information



■ This symbol on the device (and any included batteries) indicates that they should not be disposed of as normal household garbage. Do not dispose of your device or batteries as unsorted municipal waste. The device (and any batteries) should be handed over to a certified collection point for recycling or proper disposal at the end of their life.

For more detailed information about the recycling of the device or batteries, contact your local city office, the household waste disposal service, or the retail store where you purchased this device. The disposal of this device is subject to the Waste from Electrical and Electronic Equipment (WEEE) directive of the European Union. The reason for separating WEEE and batteries from other waste is to minimize the potential environmental impacts on human health of any hazardous substances that may be present.

Reduction of Hazardous Substances

This device is compliant with the EU Registration,

Evaluation, Authorisation and Restriction of Chemicals (REACH) Regulation (Regulation No 1907/2006/EC of the European Parliament and of the Council) and the EU Restriction of Hazardous Substances (RoHS) Directive (Directive 2002/95/EC of the European Parliament and of the Council). For more information about the REACH compliance of the device, visit the Web site www.huaweidevice.com/certification. You are recommended to visit the Web site regularly for up-to-date information.

EU Regulatory Conformance

Български: С настоящето Huawei Technologies Co., Ltd. декларира, че този уред съответства на основните изисквания и другите разпоредби на Директива 1999/5/ЕС.

Česky: Huawei Technologies Co., Ltd., tímto prohlašuje, že toto zařízení je ve shodě se základními požadavky a dalšími souvisejícími opatřeními směrnice 1999/5/EC.

Dansk: Huawei Technologies Co., Ltd. erklærer hermed at denne enhed er i overensstemmelse med de obligatoriske krav og andre relevante bestemmelser i direktiv 1999/5/EF.

Nederlands: Hierbij verklaart Huawei Technologies Co., Ltd. dat dit apparaat in overeenstemming is met de essentiële eisen en de andere relevante bepalingen van richtlijn 1999/5/EC.

English: Hereby, Huawei Technologies Co., Ltd. declares that this device is in compliance with the essential requirements and other relevant provisions of Directive 1999/5/EC.

Eesti: Käesolevaga kinnitab Huawei Technologies Co., Ltd., et see seade vastab Direktiivi 1999/5/EÜ põhinõudmistele ja teistele asjakohastele määrustele.

Suomi: Huawei Technologies Co., Ltd. vakuuttaa täten, että tämä laite on yhdenmukainen direktiivin 1999/5/EY olennaisten vaatimusten ja direktiivin muiden asiaankuuluvien lausumien kanssa.

Français (Européen) : Le fabricant déclare que ce produit est conforme aux exigences essentielles et aux autres dispositions pertinentes de la directive 1999/5/CE.

Deutsch: Huawei Technologies Co., Ltd. erklärt hiermit, dass dieses Produkt die erforderlichen Bestimmungen und andere relevante Verordnungen der Richtlinie 1999/5/EG einhält.

Ελληνικά: Δια της παρούσης η Huawei Technologies Co., Ltd. δηλώνει ότι αυτή η συσκευή συμμορφώνεται με τις βασικές απαιτήσεις και άλλες σχετικές διατάξεις της οδηγίας 1999/5/E.K.

Magyar: Jelen nyilatkozaton keresztül a Huawei Technologies Co., Ltd. kijelenti, hogy a készülék megfelel az EC/5/1999 Irányelv összes lényeges követelményének és vonatkozó előírásának.

Gaeilge: Fograíonn Huawei Technologies Co., Ltd leis seo go bhfuil an fheiste seo i gcomhlíonadh

leis na fíor-riachtanais agus na forálacha eile maidir le Treoir 1999/5/AE.

Italiano: Col presente documento, Huawei Technologies Co., Ltd. dichiara che questo dispositivo è conforme ai requisiti essenziali e alle altre disposizioni applicabili della Direttiva 1999/5/CE.

Latviski: Ar šo Huawei Technologies Co., Ltd. paziņo, ka šī ierīce atbilst Direktīvas 1999/5/EC pamatprasībām un piemērojamajiem nosacījumiem.

Lietuviškai: Šiuo Huawei Technologies Co., Ltd. praneša, kad šis įtaisas atitinka Direktyvos 1999/5/EC pagrindinius reikalavimus ir taikomas sąlygas.

Malti: Hawnhekk, Huawei Technologies Co., Ltd. tiddikjara li dan it-tagħmir hu konformi mal-ħtiġijiet essenzjali u provvedimenti rilevanti oħrajn ta' Direttiva 1999/5/KE.

Polski: Wymieniona w tym dokumencie firma Huawei Technologies Co., Ltd. deklaruje, że niniejsze urządzenie spełnia zasadnicze wymagania w zakresie zgodności oraz inne odnośne postanowienia Dyrektywy 1999/5/EC.

Português (Europeu) : Deste modo, a Huawei Technologies Co., Ltd. declara que este dispositivo está em conformidade com os requisitos essenciais e outras provisões relevantes da Directiva 1999/5/CE.

Română: Prin prezenta Huawei Technologies Co., Ltd. declară că acest dispozitiv este conform cu

cerințele esențiale și alte prevederi relevante ale directivei 1999/5/CE.

Slovenčina: Huawei Technologies Co., Ltd. týmto vyhlasuje, že zariadenie je v súlade so základnými požiadavkami a inými relevantnými predpismi Smernice 1999/5/ES.

Slovenščina: Huawei Technologies Co., Ltd. izjavlja, da je ta naprava v skladu z bistvenimi zahtevami in drugimi ustreznimi določbami Direktive 1999/5/ES.

Español (Europeo) : Con el presente documento, Huawei Technologies Co., Ltd. declara que este dispositivo cumple con los requisitos esenciales y con las demás disposiciones correspondientes de la Directiva 1999/5/CE.

Svenska: Huawei Technologies Co., Ltd. förklarar härmed att denna produkt överensstämmer med de grundläggande kraven och andra relevanta föreskrifter i direktiv 1999/5/EG.

For the declaration of conformity, visit the Web site www.huaweidevice.com/certification.

Notice: Observe the national local regulations in the location where the device is to be used. This device may be restricted for use in some or all countries of European Union.

CE 0682

Version: V100R001_01 Part Number: 31010ENY